

Job Name:

System Reference:

Date:

LICENSES

Unlocks Tenant Manager and General user in the Integrated Centralized

Control Web.

- LIC-PWeb Master
 - Master Controller license for TE-200A and TW-50A
- LIC-PWeb Expansion
 - Expansion Controller license for TE-50A and TW-50A

INTEGRATED CENTRALIZED CONTROL WEB

By using the Integrated Centralized Control Web, up to 2,000 air conditioning units connected up to 40 TE-200/TE-50/TW-50 centralized controllers can be monitored and operated.

USER MANAGEMENT FUNCTION

In addition to a building manager that can manage all air conditioning units, you can set tenant managers that can manage specific air conditioning units and general users that can perform only monitoring and operation. Since the functions that can be used differ for each user, this facilitates user management that meets requirements.

Note: Up to 50 users can access the Integrated Centralized Control Web at the same time. While 50 users are accessing the Integrated Centralized Control Web, no more users can access the Integrated Centralized Control Web.

User	Number of users
Building manager	1
Tenant manager	200
General user	2000

ACCESSIBLE FUNCTIONS FOR DIFFERENT USERS

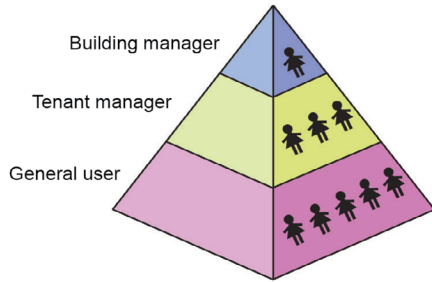
Function		Building manager	Tenant manager	General user
Home	Operation status for each floor/Electric energy consumption/Notice	√	–	–
Monitor/Operation	Floor Layout	√	–	–
	Show groups	√	√	√
	Measurement Status	√	–	–
	AHC Status	√	–	–
	HWHP	√	√	√ *1
	Advanced settings	√	√	√
Energy Management	Energy Use Status	√	√	–
	Ranking	√	√	–
	Target Value	√	√	–
	Peak Cut	√	–	–
Schedule	Schedule settings	√	√	–
	Date range setting for Weekly schedule	√	–	–
Notice	Error List	√	–	–
	Unit error log/ Communication error log	√	–	–
	Filter sign	√	–	–
Settings	Screen display settings	√	–	–
	User registration	√	–	–
	Date and time settings	√	–	–
	License registration	√	–	–
Maintenance	Send Mail Log	√	–	–
	Outdoor Unit Status	√	–	–
	Free Contact	√	–	–
	Gas Refrigerant Amount Check	√	–	–
	CSV Output	√	–	–

*1 HWHP units cannot be monitored or operated on the smartphone.

LARGE NUMBER OF MONITORING AND OPERATION TERMINALS

If a centralized controller and wireless LAN router are connected, the air conditioning units can be monitored and operated using tablets and smart phones.

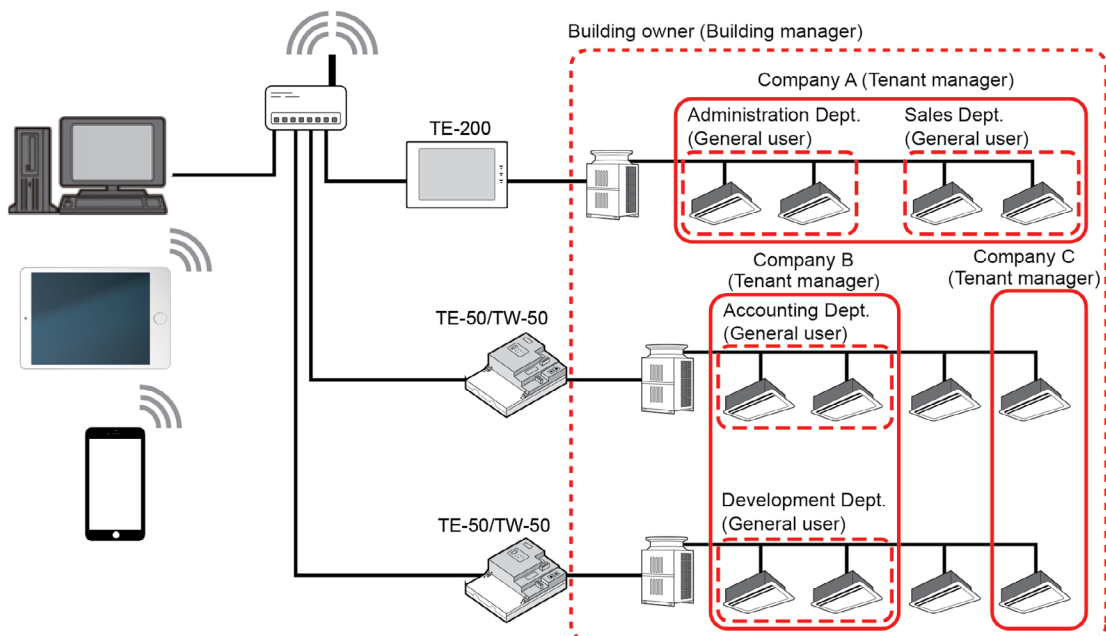
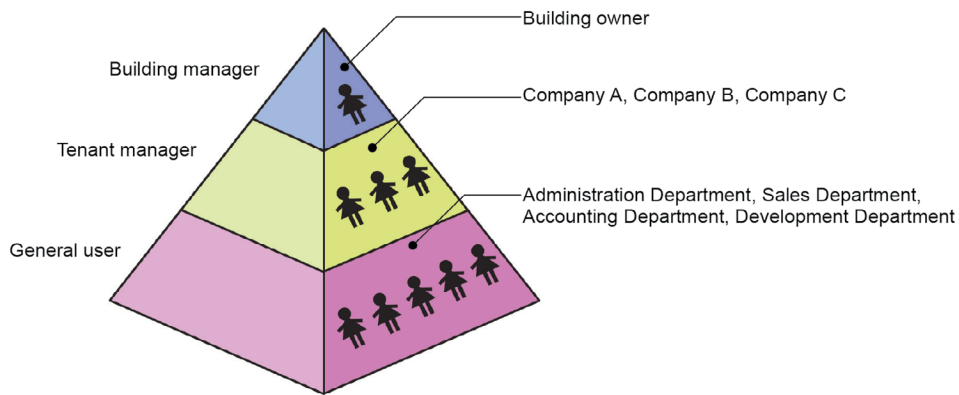
General users can use smart phones in addition to PCs and tablets.



User	PC	Tablet	Smartphone
Building manager	✓	✓	–
Tenant manager	✓	✓	–
General user	✓	✓	✓

SAMPLE USER SETTING

The air conditioning unit groups to be managed can be set for each user as shown in the figure below.



LIC-PWeb

OPERATING ENVIRONMENT

The following table shows the supported operating systems, browsers, and models for using this Integrated Centralized Control Web with PCs, tablets, and smart phones. Operation with any operating environment other than the following cannot be guaranteed.

Note: Up to 50 users can access the Integrated Centralized Control Web at the same time. While 50 users are accessing the Integrated Centralized control Web, no more users can access the Integrated Centralized Control Web.

Item	Requirement	
PC	CPU	1 GHz or faster (2 GHz or faster recommended)
	Memory	2 GB or more
	Screen resolution	1024 x 768 or higher
	OS	Microsoft® Windows8.1 or Windows7 MacOS X10.9
	Browser	Microsoft® InternetExplorer11 Google Chrome® Ver. 45 Safari7

	OS	Browser	Model
Smart phone	iOS7-9	Safari7-9	iPhone5 iPhone5s iPhone6 (Plus) iPhone6s (Plus)
	Android4.2-6.0	Google Chrome® Ver. 45	GalaxyS5 Nexus5 XperiaZ5
Tablet	iOS7	Safari7	iPad Air
	Android4.2-4.4	Google Chrome® Ver. 45	Nexus10 XperiaZ2

SYSTEM LICENSING

